

SERVICE PARTS LIST FOR MITSUBISHI ELECTRIC PACKAGED AIR-CONDITIONERS

Series PEFY-P.VMM-E

For use with the R410A & R407C & R22

REVISED
Sep. 2004

INDEX

PEFY-P20,P25,P32VMM-E

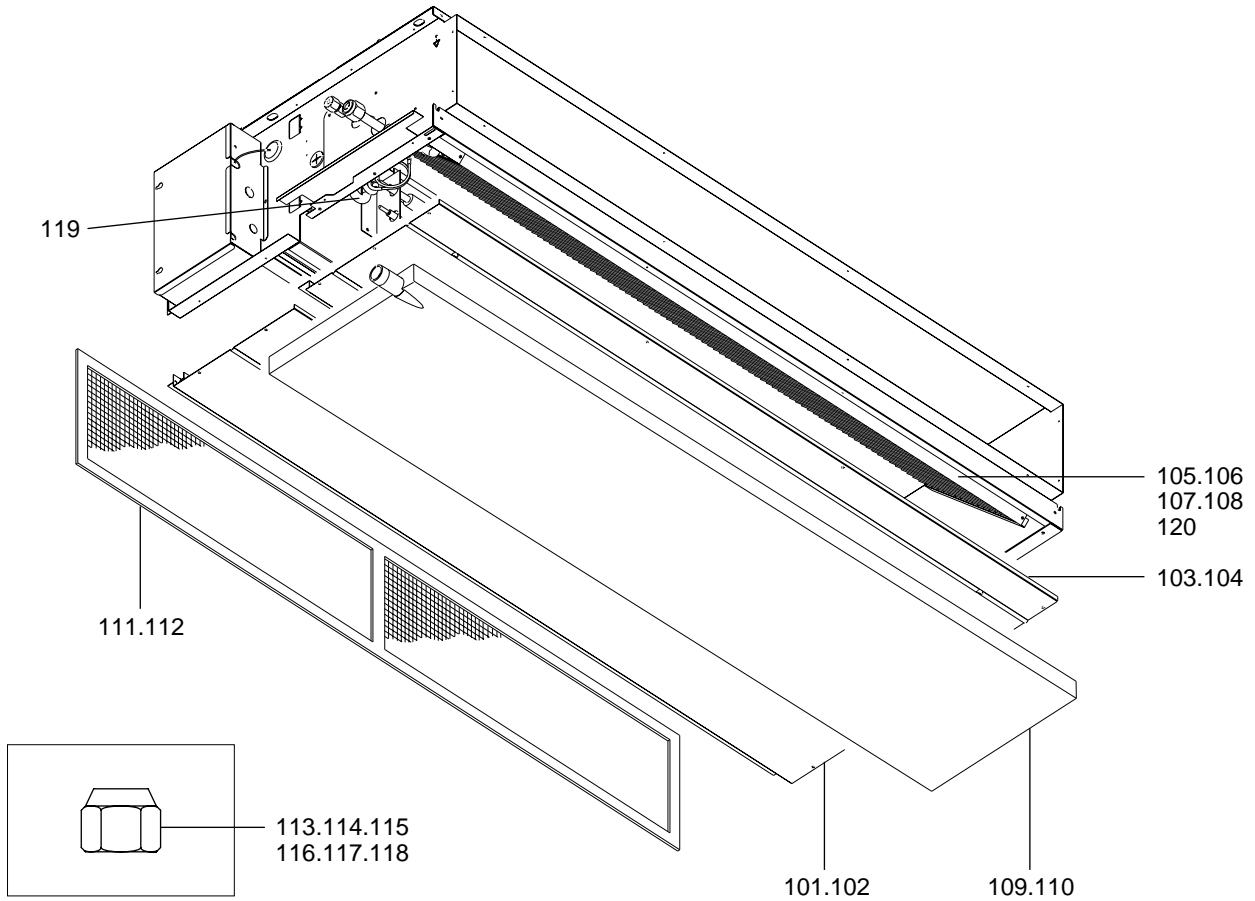
**PEFY-P40,P50,P63,P71,P80,
P100,P125,P140VMM-E**



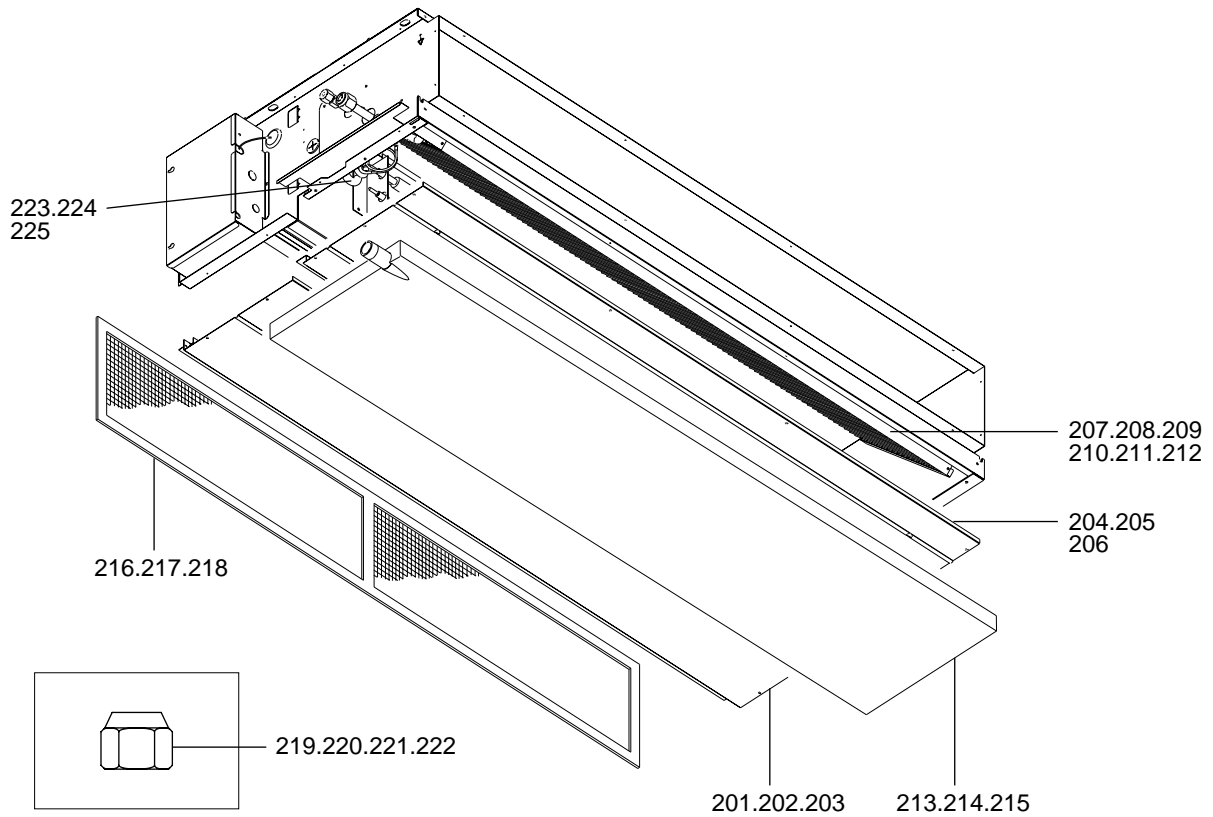
Please change the old catalog (issued Apr 2004, No.BWE04090) to this new catalog.

Content of revision : Some of parts are changed.

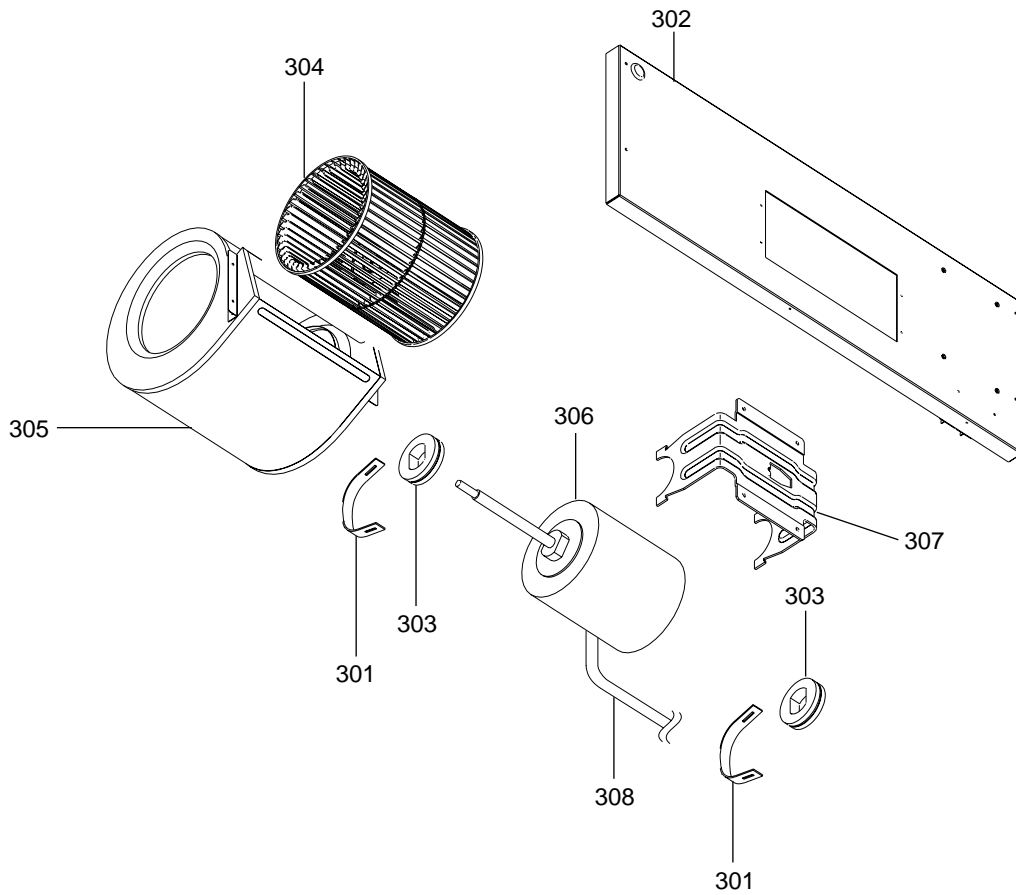
Content of revision : The models are added and some of parts are changed.



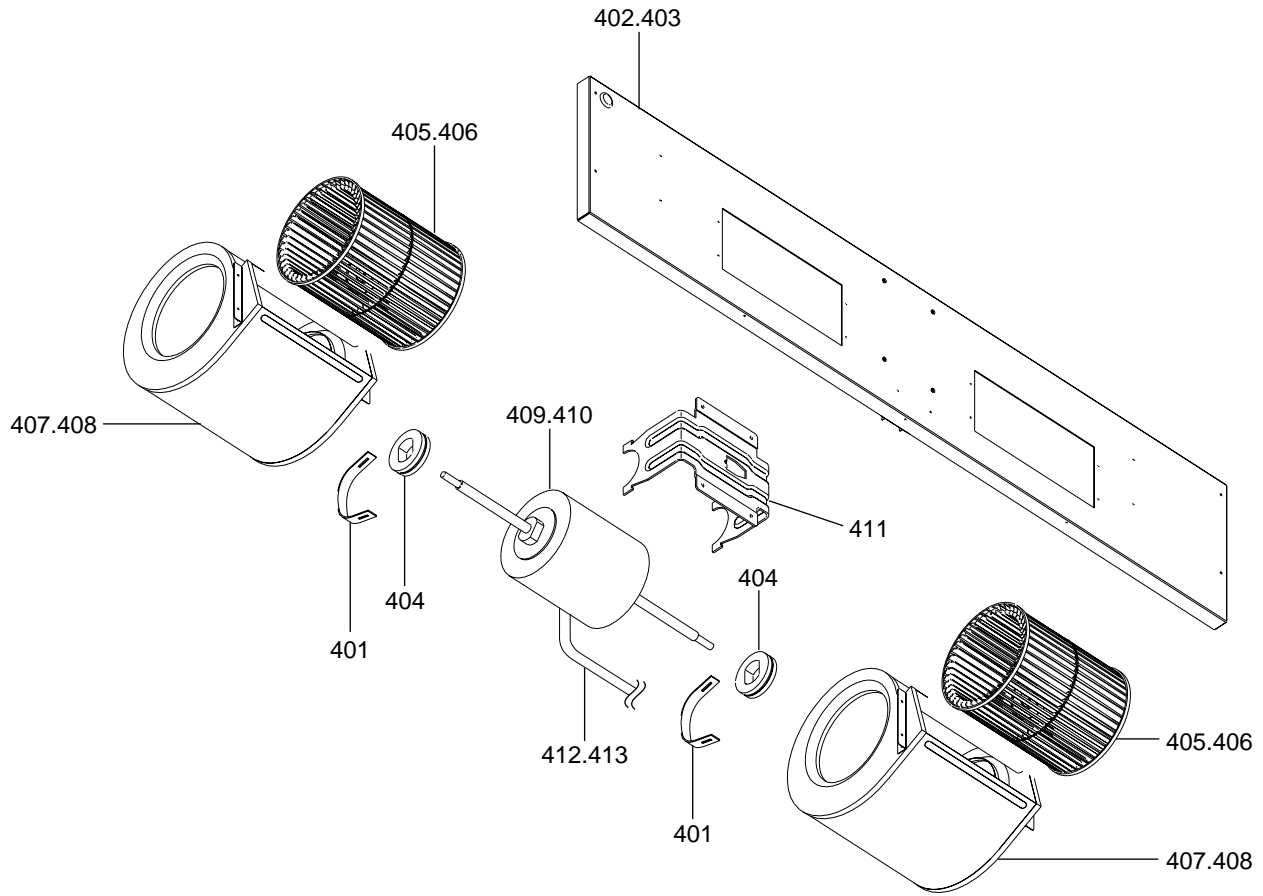
No.	Part No.	Part Name	Spec.						Dwg. No.	Price GBP
				-P20VMM-E	-P25VMM-E	-P32VMM-E	-P40VMM-E	-P50VMM-E		
101	S70 032 669	Bottom plate 1		1	1	1			W639151Z03	7.6
102	S70 031 669	Bottom plate 1					1	1	W638939Z04	7.5
103	S70 082 669	Bottom plate 2 ass'y		1	1	1			W639152G02	18.5
104	S70 081 669	Bottom plate 2 ass'y					1	1	W638940G03	18.5
105	S70 040 480	H.EX.General ass'y		1	1				W268533G14	119.5
106	S70 041 480	H.EX.General ass'y				1			W268533G15	119.5
107	S70 042 480	H.EX.General ass'y					1		W268533G16	119.5
108	S70 043 480	H.EX.General ass'y						1	W268533G17	119.5
109	S70 031 529	Drain pan ass'y		1	1	1			W639154G01	22.4
110	S70 011 529	Drain pan ass'y					1	1	W638942G01	22.5
111	S70 011 500	Filter		1	1	1			W645496G01	10.0
112	S70 021 500	Filter					1	1	W645496G02	10.0
113	S70 E10 097	Flare nut <Liquid>	<R22,R407C,R410A>	1	1	1	1		Z211A143H01	0.65
114	S70 E09 097	Flare nut <Gas>	<R22,R407C>					1	Z211A143H07	1.50
115	S70 E14 097	Flare nut <Liquid>	<R22,R407C>					1	Z211A143H06	0.80
116	S70 E13 097	Flare nut <Gas>	<R22,R407C,R410A>	1	1	1	1		W905525H01	3.10
117	S70 E11 097	Flare nut <Gas>	<R410A>					1	BG12U190H01	2.85
118	S70 E12 097	Flare nut <Liquid>	<R410A>					1	BG12U190H02	0.95
119	S70 E22 401	LEV		1	1	1	1	1	P632408X01	36.75
120	S70 NR0 480	H.EX.Diffuser Plate		2	2	2	2	2	BG25T143H02	0.25



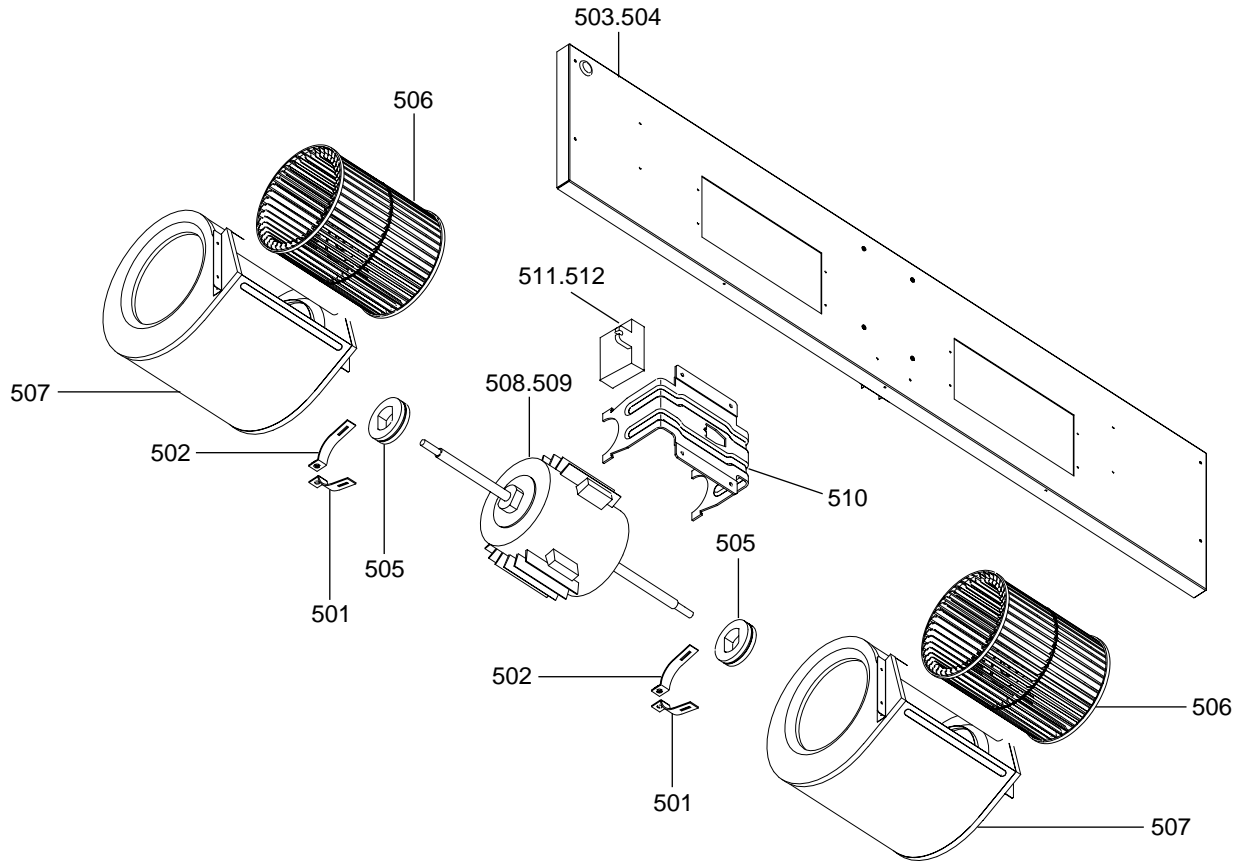
No.	Part No.	Part Name	Spec.	-P63VMM-E	-P71VMM-E	-P80VMM-E	-P100VMM-E	-P125VMM-E	-P140VMM-E	Dwg. No.	Price GBP
201	S70 014 669	Bottom plate 1		1	1	1				W638917Z04	12.9
202	S70 012 669	Bottom plate 1					1	1		W634090Z01	13.9
203	S70 013 669	Bottom plate 1							1	W634084Z01	14.6
204	S70 015 669	Bottom plate 2 ass'y		1	1	1				W638918G03	23.9
205	S70 052 669	Bottom plate 2 ass'y					1	1		W634030G01	22.8
206	S70 050 669	Bottom plate 2 ass'y							1	W631188G02	23.5
207	S70 044 480	H.EX.General ass'y		1						W268533G18	120.3
208	S70 045 480	H.EX.General ass'y			1					W268533G19	160.5
209	S70 046 480	H.EX.General ass'y				1				W268533G20	160.5
210	S70 047 480	H.EX.General ass'y					1			W268533G21	167.9
211	S70 048 480	H.EX.General ass'y						1		W268533G22	167.9
212	S70 049 480	H.EX.General ass'y							1	W268533G23	180.62
213	S70 021 529	Drain pan ass'y		1	1	1				W638920G01	23.0
214	S70 060 529	Drain pan ass'y					1	1		W634034G01	26.9
215	S70 040 529	Drain pan ass'y							1	W631186G01	29.9
216	S70 031 500	Filter		1	1	1				W645496G03	11.0
217	S70 040 500	Filter					1	1		W645497G02	16.0
218	S70 010 500	Filter							1	W645497G03	19.0
219	S70 E50 097	Flare nut <Gas>	<R22,R407C>				1	1	1	BG12P502H01	1.75
220	S70 E14 097	Flare nut <Liquid>	<R22,R407C,R410A>	1	1	1	1	1	1	Z211A143H06	0.80
221	S70 E15 097	Flare nut <Gas>	<R22,R407C,R410A>	1	1	1				BG12S826H01	1.50
222	S70 E16 097	Flare nut <Gas>	<R410A>				1	1	1	BG12P502H02	2.35
223	S70 E22 401	LEV		1	1	1				P632408X01	36.75
224	S70 E23 401	LEV					1	1		P632411X01	39.25
225	S70 E25 401	LEV							1	P632414X01	40.15



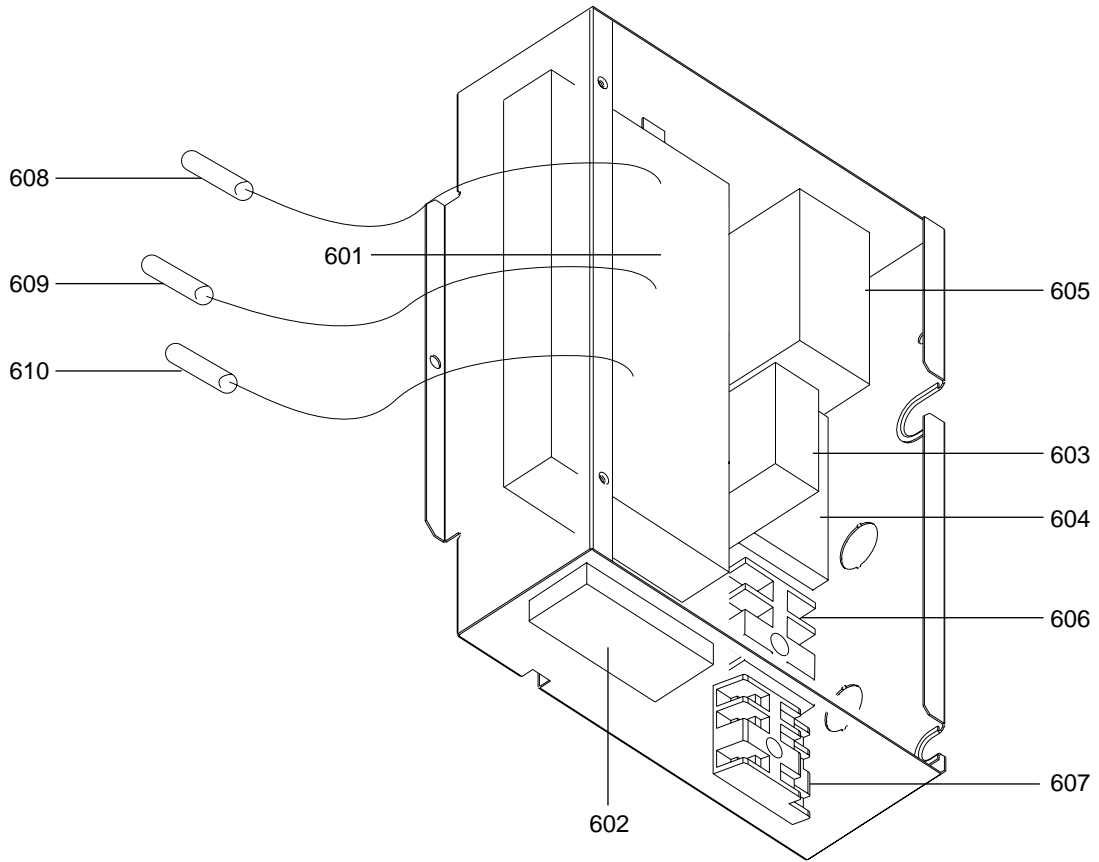
No.	Part No.	Part Name	Spec.				Dwg. No.	Price GBP
				-P20VMM-E	-P25VMM-E	-P32VMM-E		
301	S70 652 131	Attachment		2	2	2	W353715H01	0.8
302	S70 011 677	Fan base ass'y		1	1	1	W639145G02	27.5
303	S70 777 105	Bush		2	2	2	W843446H02	0.8
304	S70 A89 114	Sirocco fan	18-23L	1	1	1	W122297G02	11.3
305	S70 985 110	Housing ass'y		1	1	1	W638949G04	10.0
306	S70 Y60 220	Motor	<MF>	1	1	1	P714425X01	62.5
307	S70 Y61 130	Motor support		1	1	1	W252768H01	5.4
308	S70 Y77 320	Lead wire ass'y		1	1	1	W882178G01	2.6



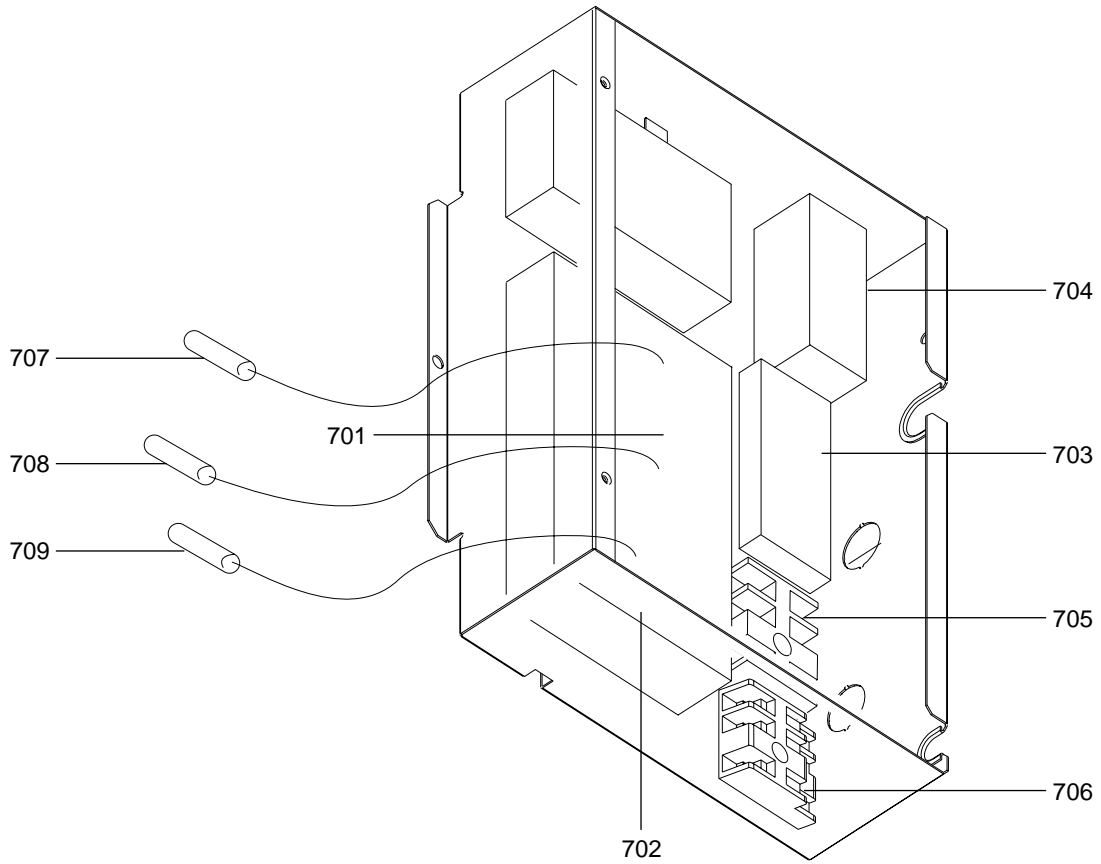
No.	Part No.	Part Name	Spec.	-P40VMM-E	-P50VMM-E	-P63VMM-E	-P71VMM-E	-P80VMM-E	Dwg. No.	Price GBP
401	S70 652 131	Attachment		2	2	2	2	2	W353715H01	0.8
402	S70 021 677	Fan base ass'y		1	1				W641676G01	16.55
403	S70 061 677	Fan base ass'y				1	1	1	W638905G03	22.5
404	S70 777 105	Bush		2	2	2	2	2	W843446H02	0.8
405	S70 A88 114	Sirocco fan	18-18L	2	2				W122296G02	11.0
406	S70 A89 114	Sirocco fan	18-23L			2	2	2	W122297G02	11.0
407	S70 989 110	Housing ass'y		2	2				W638949G03	9.0
408	S70 985 110	Housing ass'y				2	2	2	W638949G04	10.0
409	S70 Y61 220	Motor	<MF>	1	1				P714079X02	62.5
410	S70 Y62 220	Motor	<MF>			1	1	1	P714561X01	65.6
411	S70 Y61 130	Motor support		1	1	1	1	1	W252768H01	5.4
412	S70 Y77 321	Lead wire ass'y		1	1				W882178G02	2.6
413	S70 Y77 322	Lead wire ass'y				1	1	1	W882178G03	2.85



No.	Part No.	Part Name	Spec.				Dwg. No.	Price GBP
				-P100VMM-E	-P125VMM-E	-P140VMM-E		
501	S70 508 131	Piece		2	2	2	R02K338H02	1.55
502	S70 508 132	Piece	with a nut	2	2	2	R02K338G82	1.55
503	S70 081 677	Fan base ass'y		1	1		W634079G01	22.5
504	S70 091 677	Fan base ass'y				1	W634077G01	27.5
505	S70 Y01 105	Bush		2	2	2	W860050H02	2.43
506	S70 Y07 114	Sirocco fan	20-25L	2	2	2	W631126G02	18.6
507	S70 001 110	Housing ass'y		2	2	2	W631120G02	10.3
508	S70 Y63 220	Motor	<MF>	1			P714778X01	108.2
509	S70 Y64 220	Motor	<MF>		1	1	P714779X01	108.2
510	S70 Y08 130	Leg		1	1	1	W631122Z04	7.1
511	S70 050 255	Capacitor 8	<C>	1			P412190X01	15.6
512	S70 020 255	Capacitor 16	<C>		2	2	P412223X01	11.1



No.	Part No.	Part Name	Spec.									Dwg. No.	Price GBP	
				-P20VMM-E	-P25VMM-E	-P32VMM-E	-P40VMM-E	-P50VMM-E	-P63VMM-E	-P71VMM-E	-P80VMM-E			
601	S70 101 310	Service P.W.B. ass'y	I.B.	1	1	1	1	1	1	1	1	1	W849072G04	68.0
602	S70 102 310	Service P.W.B. ass'y	A.B.	1	1	1	1	1	1	1	1	1	W849036G09	11.55
603	S70 510 255	Capacitor 6	C	1	1	1	1	1	1	1	1	1	P412291X01	3.87
604	S70 041 310	P.W.B. General ass'y	S.B.	1	1	1	1	1	1	1	1	1	PP00003G01	9.6
605	S70 030 799	Transformer	T	1	1	1	1	1	1	1	1	1	P715342X01	7.38
606	S70 979 717	Terminalbed	TB2	1	1	1	1	1	1	1	1	1	P436110X01	3.15
607	S70 980 717	Terminalbed	TB5/TB15	1	1	1	1	1	1	1	1	1	P436114X03	5.05
608	S70 080 202	Thermistor	TH22	1	1	1	1	1	1	1	1	1	P425459X02	3.0
609	S70 090 202	Thermistor	TH23	1	1	1	1	1	1	1	1	1	P425458X02	2.5
610	S70 070 202	Thermistor	TH21	1	1	1	1	1	1	1	1	1	P425455X01	2.1



No.	Part No.	Part Name	Spec.	-P100VMM-E	-P125VMM-E	-P140VMM-E				Dwg. No.	Price GBP
701	S70 104 310	Service P.W.B. ass'y	I.B.	1	1	1				W849072G06	85.00
702	S70 105 310	Service P.W.B. ass'y	A.B.	1	1	1				W849036G09	25.50
703	S70 041 310	P.W.B. General ass'y	S.B.	1	1	1				PP00003G01	9.6
704	S70 030 799	Transformer	T	1	1	1				P715342X01	7.38
705	S70 979 717	Terminalbed	TB2	1	1	1				P436110X01	3.15
706	S70 980 717	Terminalbed	TB5/TB15	1	1	1				P436114X03	5.05
707	S70 080 202	Thermistor	TH22	1	1	1				P425459X02	3.0
708	S70 090 202	Thermistor	TH23	1	1	1				P425458X02	2.5
709	S70 070 202	Thermistor	TH21	1	1	1				P425455X01	2.1

